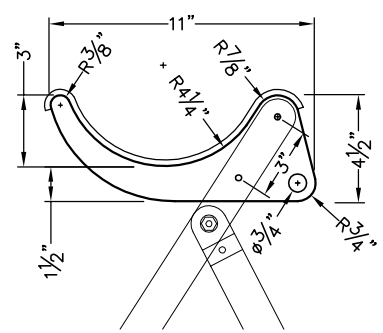
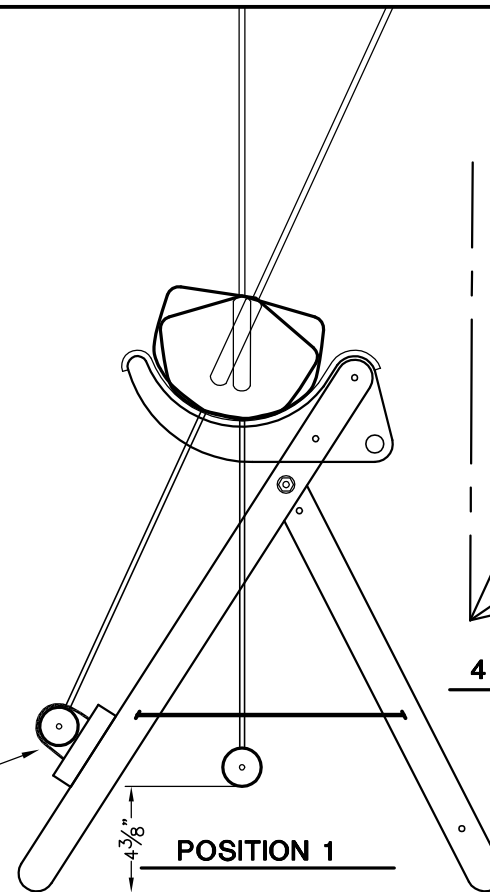


SIDE VIEW



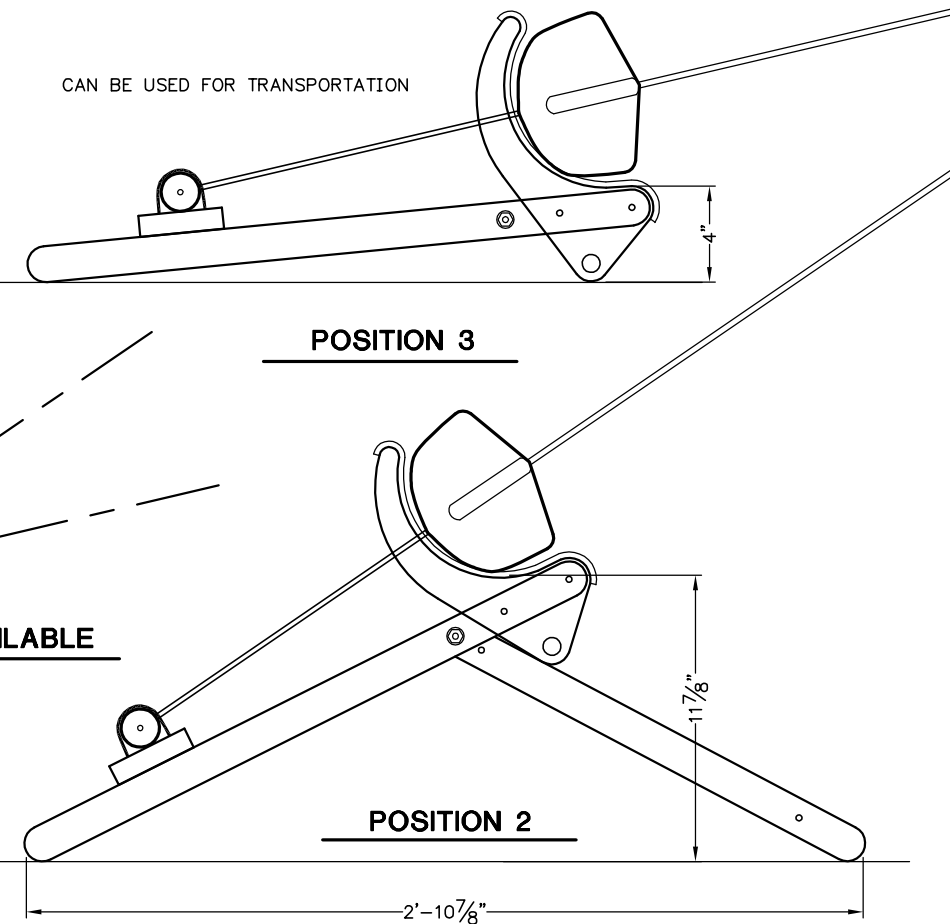
CRADLE DETAIL

- NOTES:**
1. CRADLE MADE FROM 2-1x6 GLUED TOGETHER.
 2. DRILL 3/4" HOLE FOR DOWEL HANDLE 1" INTO CRADLE.
 3. 4 1/4" RADIUS FOR CRADLE MAY LIMIT SOME WIDER HULL TYPES FROM FITTING IN THE CRADLE. ADJUST ACCORDINGLY.
 4. APPLY FOAM PADDING AS NEEDED.



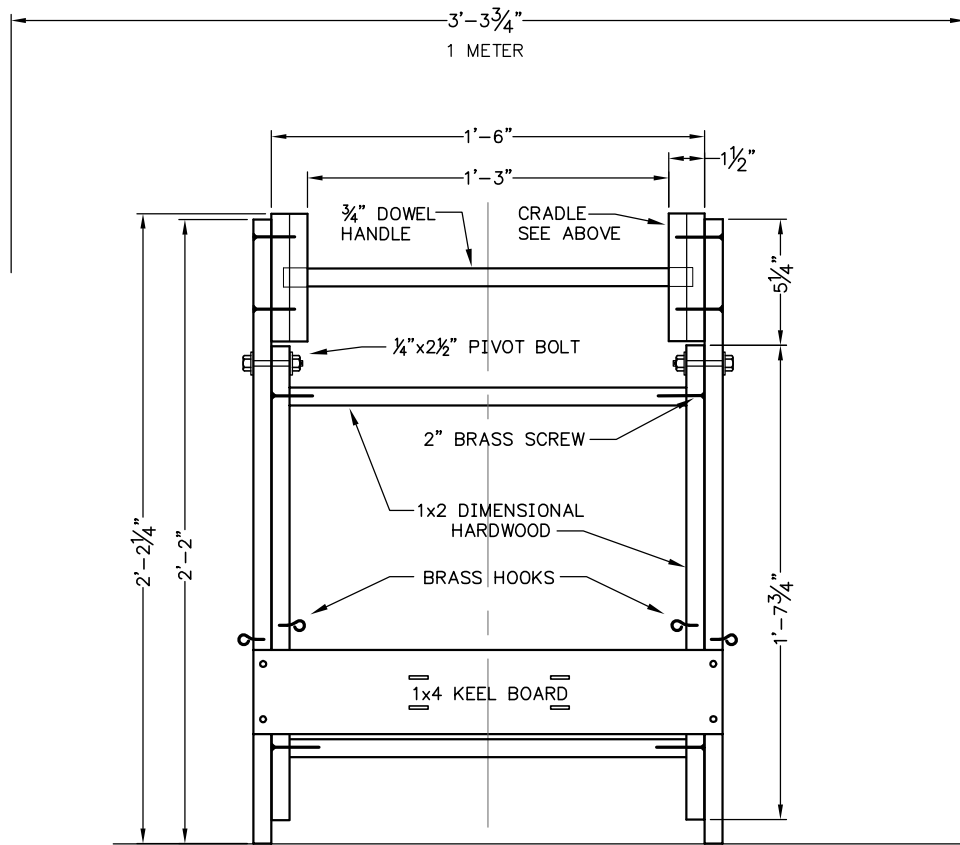
POSITION 1

4 ANGLES AVAILABLE

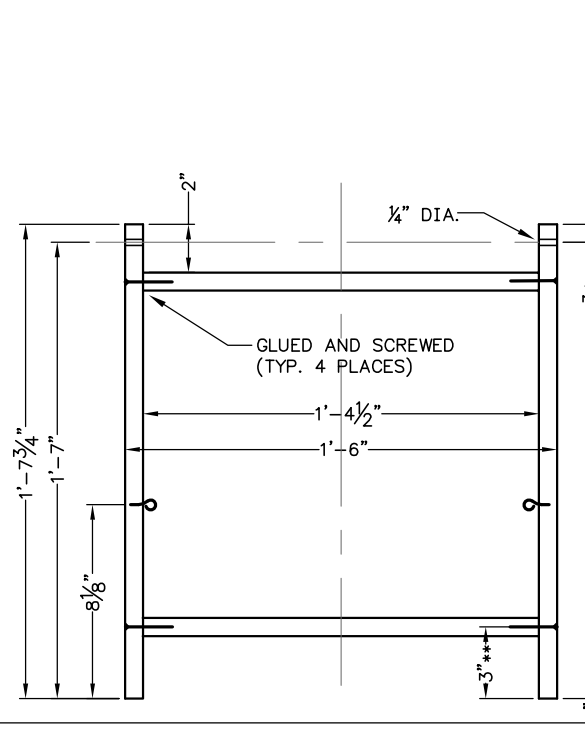


POSITION 2

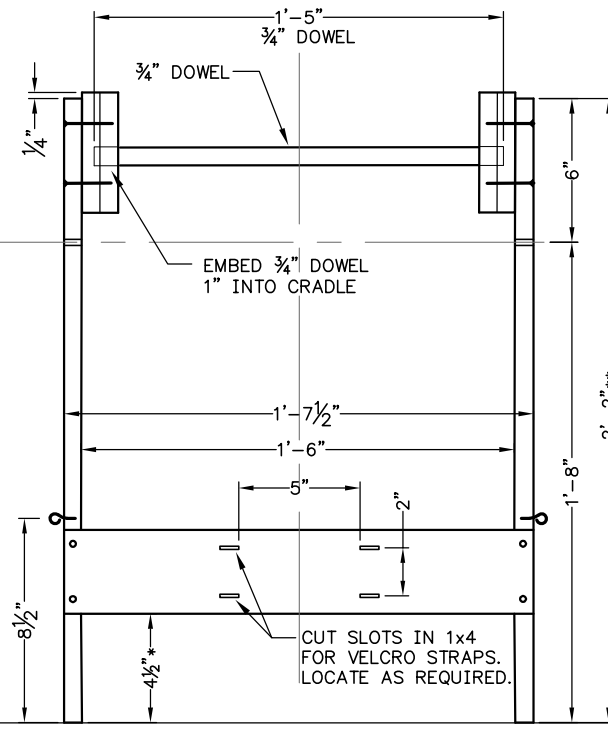
POSITION 3



FRONT VIEW



LITTLE FRAME



BIG FRAME

PARTS LIST

- 2 - 1x2 x 8'
- 1 - 1x6 x 6'
- 1 - 3/4" DOWEL x 2'
- 2 - 1/4"x2 1/2" PIVOT BOLTS, NUTS AND 4 WASHERS
- 4 - BRASS HOOKS
- 12 - 2" BRASS SCREWS
- FOAM PADDING
- VELCRO STRAPS
- STRING
- WOOD GLUE

* VERTICAL LOCATION OF 1x4 KEEL BOARD MAY NEED TO BE ADJUSTED TO EACH INDIVIDUAL BOAT IF YOU WANT THE BULB CENTERED ON THE 1x4.
 ** AN ADDITIONAL 2" CAN BE CUT OR ADDED FROM THIS AND THE OPPOSING DIMENSIONS FOR A SHORTER OR LONGER STAND IF SO DESIRED.

IOM BOAT STAND

SCALE 1 1/2" = 1'-0"